
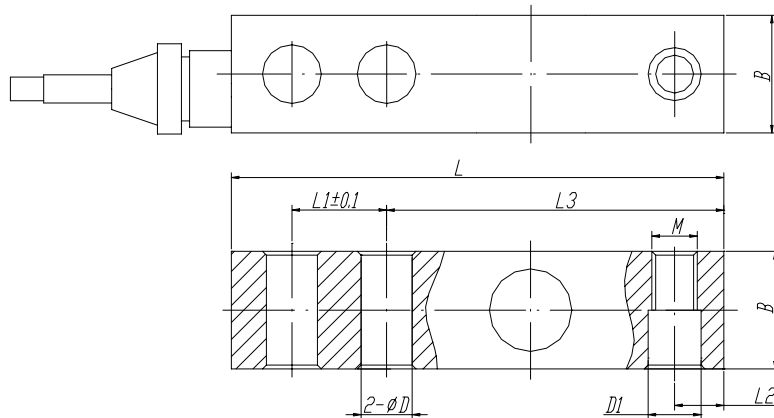


Model: CZL803 **OIML Certified**

| | |
|--|--|
| Type: singal-ended shear beam load cell Total Precision: C3 class Material: alloy steel Surface: nickel plated or anodized treatment Protection: IP67 Application: floor scales, cattle scales, hoppers and tank scales , platform scales |  |
|--|--|

| | |
|--------------------------------|---------------------------------|
| 1. Rated Load | 0.5-5 (t) |
| 2. Rated Output | 3.0mV/V±0.25%, 2.0mV/V±0.2% |
| 3. Zero Balance | ±1%F.S |
| 4. Input Resistance | 405±6Ω |
| 5. Output Resistance | 350±3Ω |
| 6. Excitation Voltage | 9-12VDC |
| 7. Nonlinearity | 0.017%F.S |
| 8. Hysteresis | 0.02%F.S |
| 9. Repeatability | 0.01%F.S |
| 10. Creep(30min) | 0.015%F.S |
| 11. Operating Temperature | -20°C To +65°C |
| 12. Temperature Effect on Zero | 0.017%F.S/10°C |
| 13. Temperature Effect on Span | 0.014%F.S/10°C |
| 14. Insulation Resistance | 5000MΩ(50VDC) |
| 15. Safe Overload | 150%F.S |
| 16. Ultimate Overload | 200%FS |
| 17. Cable | 3m(Φ5mm 4-wire shielding cable) |

Dimensions:



| Cap | L | B | L1 | L2 | L3 | D | D1 | M |
|------|-----|----|------|------|-------|-------|-----|---------|
| 0.5t | 130 | 32 | 25.4 | 12.7 | 88.9 | ∅13.5 | ∅14 | M12 |
| 1t | 130 | 32 | 25.4 | 12.7 | 88.9 | ∅13.5 | ∅14 | M12 |
| 1.5t | 130 | 32 | 25.4 | 12.7 | 88.9 | ∅13.5 | ∅14 | M12 |
| 2t | 130 | 32 | 25.4 | 12.7 | 88.9 | ∅13.5 | ∅14 | M12 |
| 3t | 172 | 38 | 38.1 | 19.1 | 114.3 | ∅19.8 | ∅20 | M18*1.5 |
| 5t | 172 | 38 | 38.1 | 19.1 | 114.3 | ∅19.8 | ∅20 | M18*1.5 |